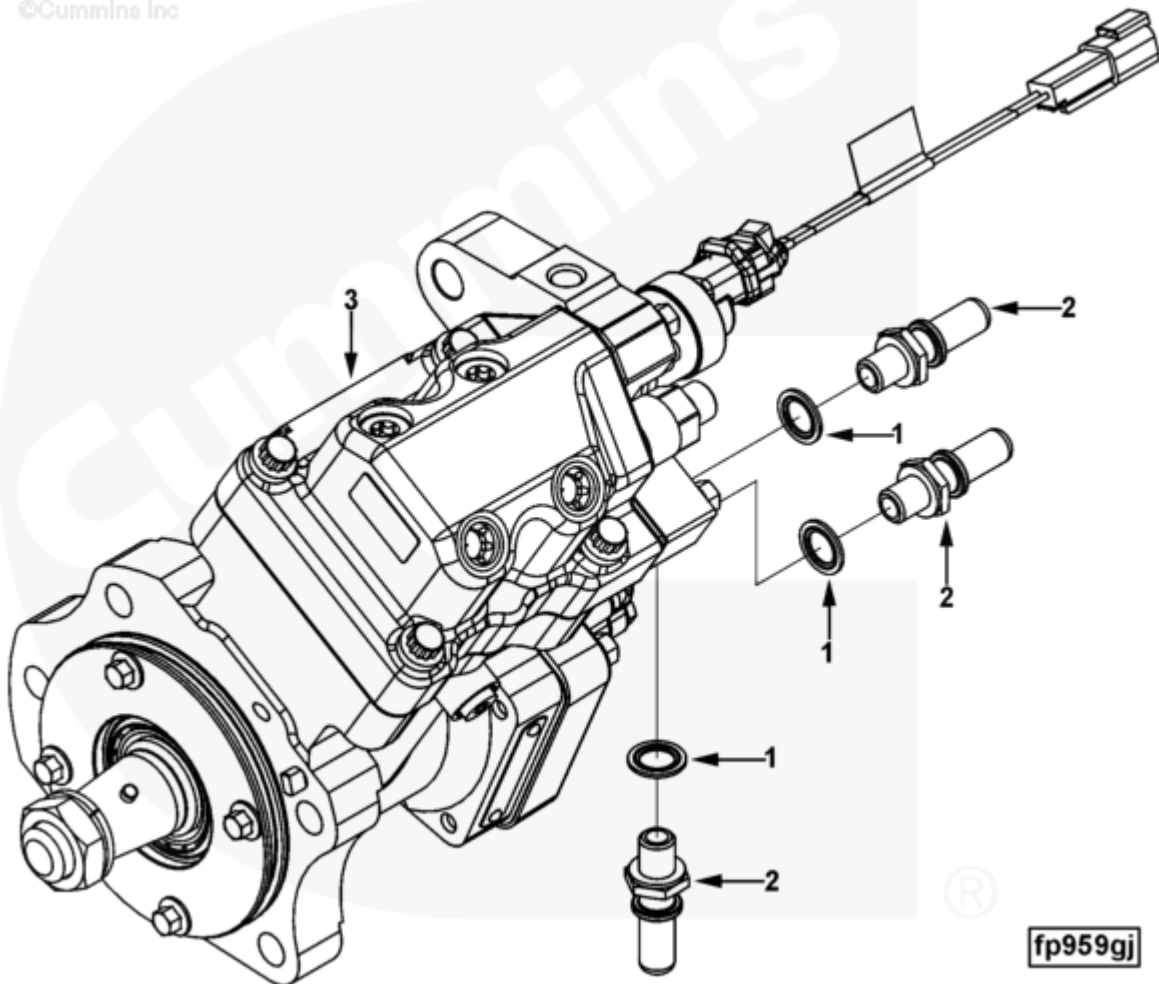




Parts Catalog - Option Detail

Electronic Parts Catalog - Option Detail				
Option	Group	Graphic	Film Card	Date
FP91114	05.01	fp959gj	Z	05-MAR-07
Engines	6C8.3, C GAS PLUS CM556, G8.3, G8.3 CM558, GTA8.3 CM558, ISC CM2150, ISC CM554, ISC CM850, ISC8.3 CM2250, ISC8.3 G CM2180 C101, ISL CM2150, ISL CM554, ISL CM850, ISL G CM2180, ISL8.9 CM2150 L110, ISL8.9 CM2880 L112, ISL9 CM2150 SN, ISL9 CM2250, ISL9 CM2350 L101, ISL9 CM2350 L111, ISLE4 CM850, L GAS PLUS CM556, L8.9, L8.9 L121, L8.9G CMOH2.0 L125B, L9 CM2350 L116B, L9 CM2350 L119B, L9 CM2350 L120C, L9 CM2350 L123B, L9.3 L105, L9.5 L117, L9N CM2380 L124B, QSC8.3 CM2250, QSC8.3 CM2880 C102, QSC8.3 CM554, QSC8.3 CM850(CM2850), QSL9 CM2250, QSL9 CM2250 L115, QSL9 CM2350 L102, QSL9 CM2350 L107, QSL9 CM2350 L118, QSL9 CM2350 L122, QSL9 CM554, QSL9 CM850(CM2850), QSL9 G CM558, QSL9 M CM2250 L106, QSL9.3 CM2880 L113			



SMALL | MEDIUM | LARGE

Cart	Ref No	Part Number	Part Description	Required	Remarks
View My Cart					
		FP91114	Fuel Pump		MR - PUMP, FUEL...(More)

					Fuel Pump
					Manufacturer/Model:
					HPCR/Cummins
					Engine Family: C Series
					Engine Design Phase: Marlin
					Fuel Pump Mounting Pilot
					Bore Diameter (mm): 107
					Fuel Pump Mounting Flange
					Bolt Circle Diameter
					(mm): 130
					Fuel Pump Mounting Holes:
					4 x M12 Thru
					Unique Characteristics:
					Assembly Incorporates 1
					Quick Connect Fitting for
					Applications Requiring Off
					Engine (Remote)
					Mount Fuel Filter
<input type="checkbox"/>		4947578	Fuel Pump	1	
<input type="checkbox"/>	1	3963990	Sealing Washer	1	M12.
<input type="checkbox"/>	2	3969822	Quick Disconnect Connector	1	
<input type="checkbox"/>	3	4954907	Fuel Pump	1	Recon Equivalent 4954907 NX